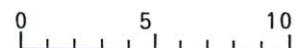


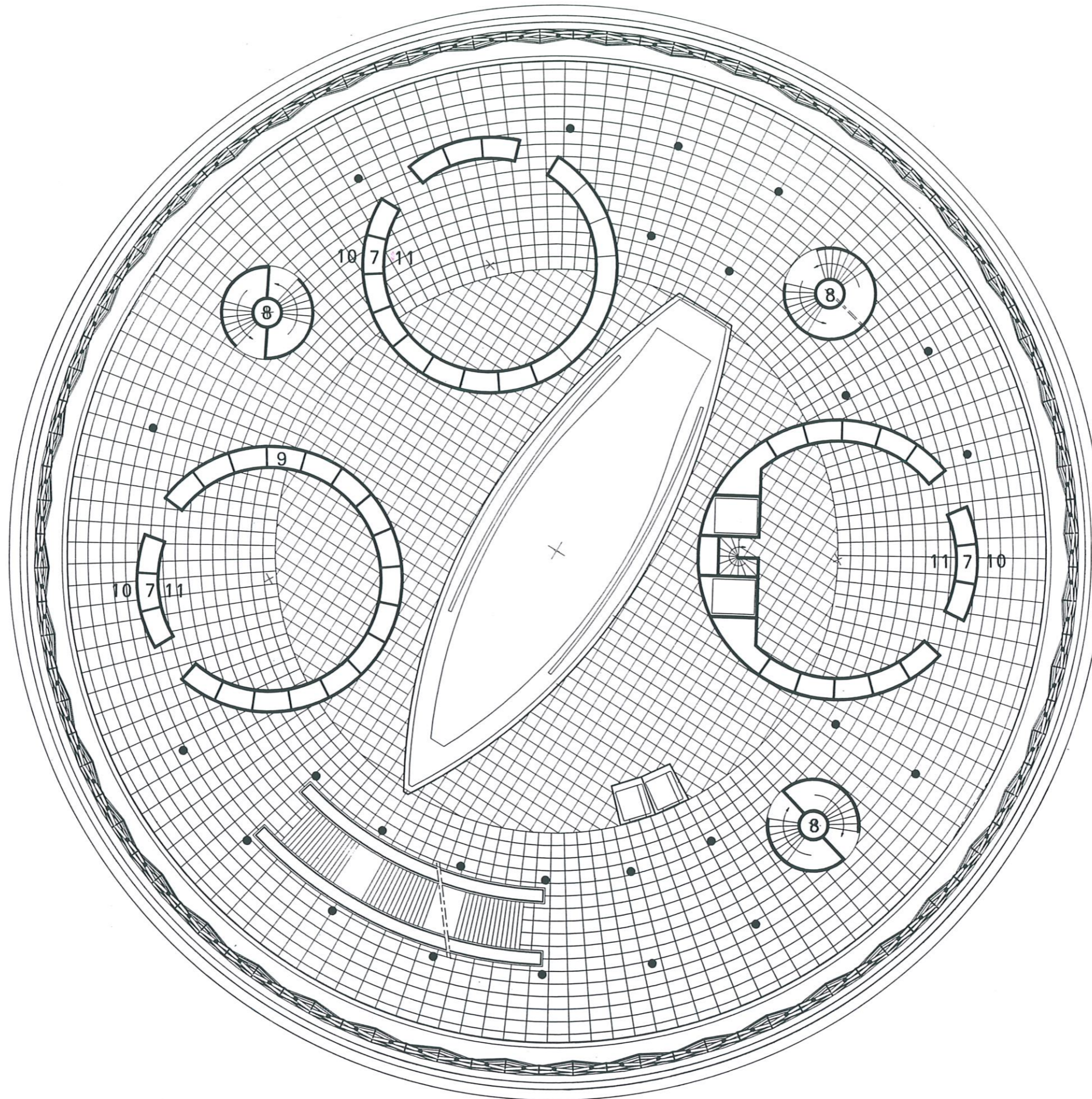
- 1. Entrance lobby.
- 2. Scenographic gallery.
- 3. Conference room.
- 4. Library.
- 5. Service room.
- 6. Technical room.
- 7. Technical duct.
- 8. Exit.
- 9. Handicapped lift.



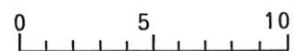
LEVEL 2 D.L.+1.50

ENTRANCE LOBBY

PAUL ANDREU — ARUP — RFR



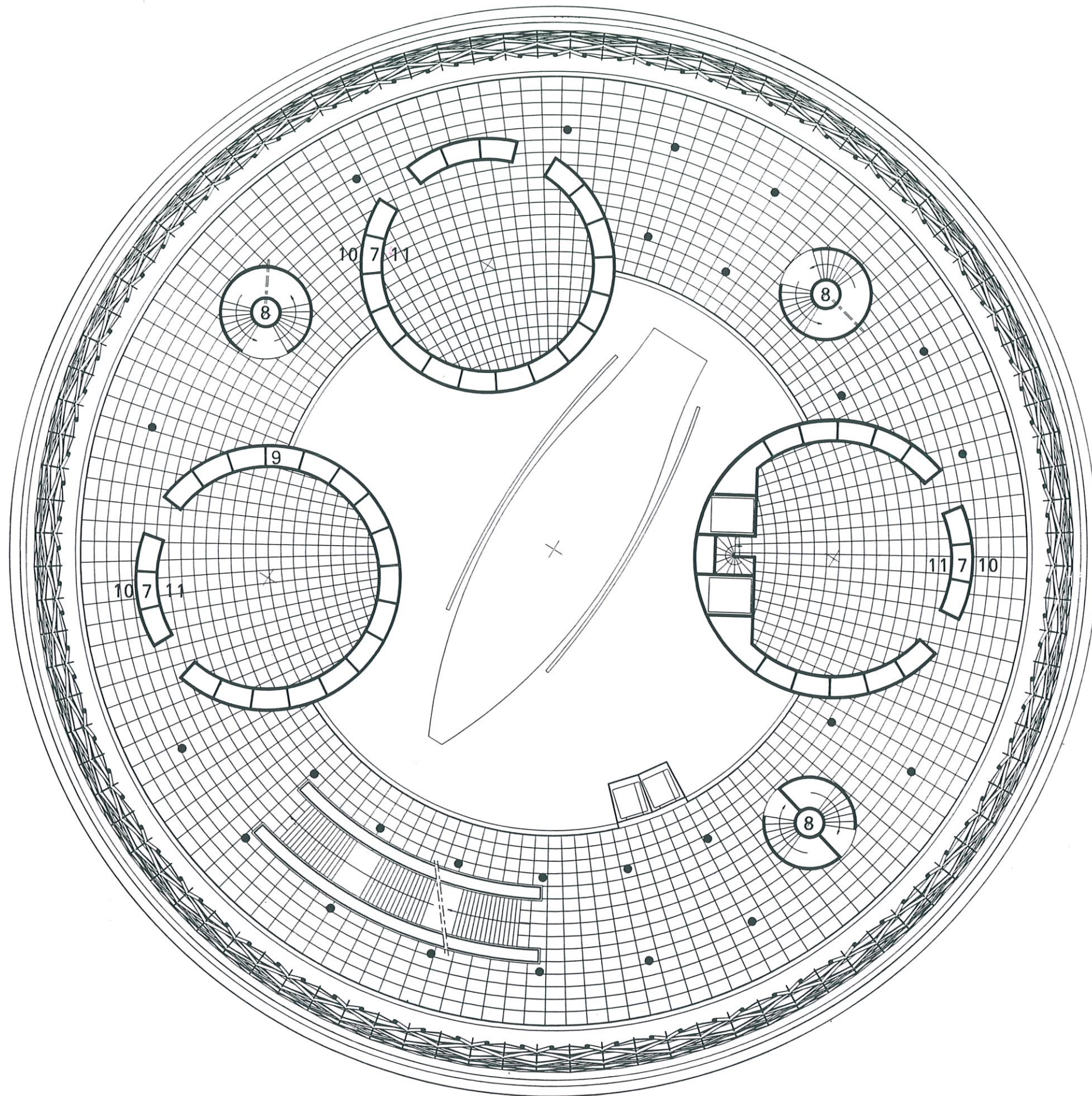
Exhibition area  
 10. "Open space".  
 11. "Close space".



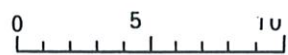
LEVEL 3 D.L.+7.50

MUSEUM SPACE

PAUL ANDREU — ARUP — RFR



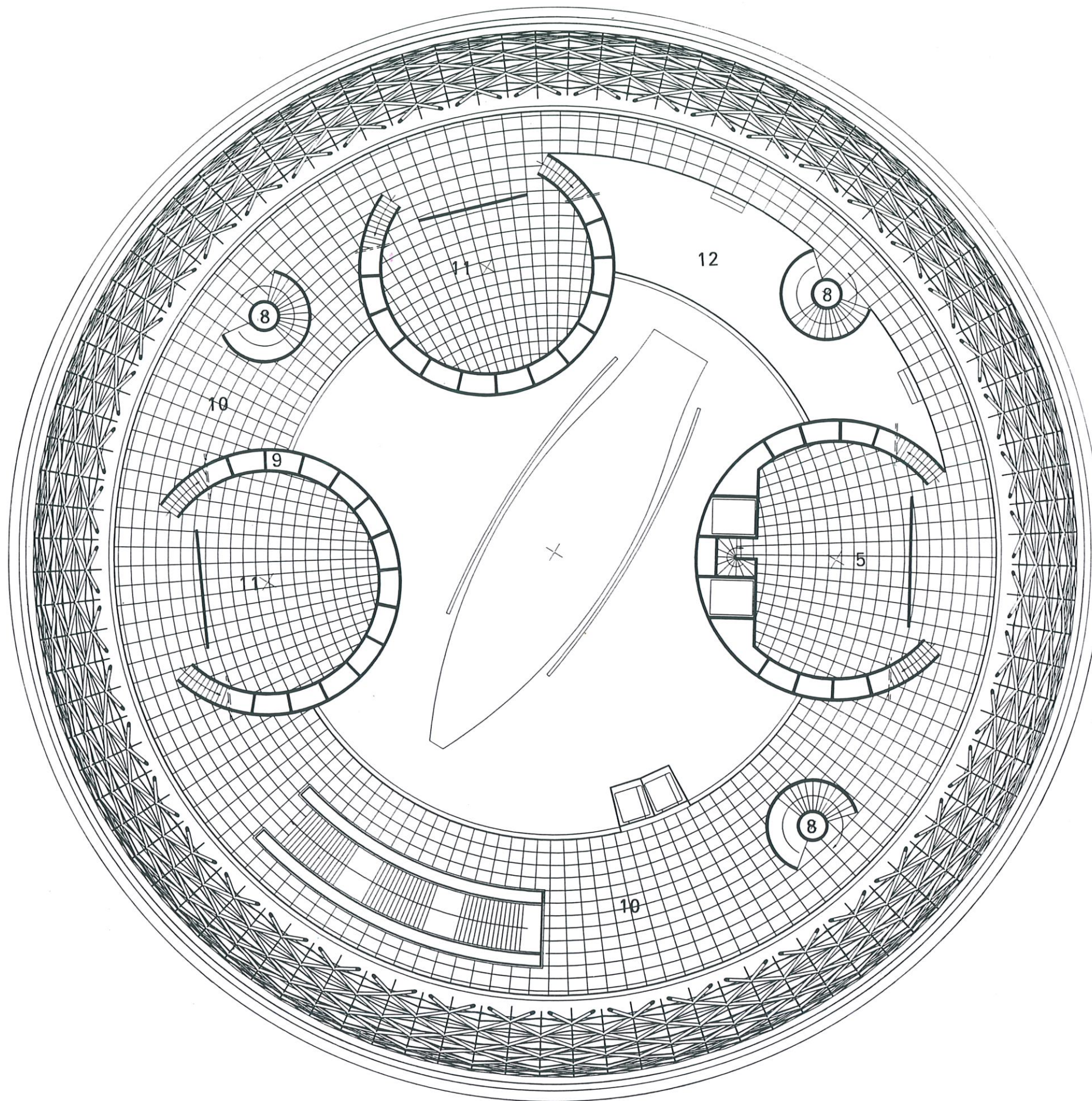
Exhibition area  
 10. "Open space".  
 11. "Close space".



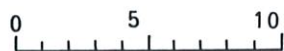
LEVEL 4 D.L.+13.50

MUSEUM SPACE

PAUL ANDREU — ARUP — RFR



12. Public area



LEVEL 5 D.L.+19.50

MUSEUM AND RECEPTION SPACE

PAUL ANDREU — ARUP — RFR

DECEMBER 1993